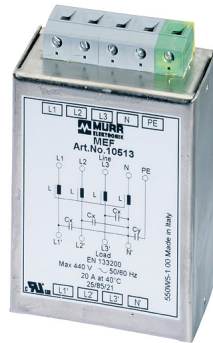


## MEF EMC-Filter 3-phase 1-stage with neutral I:10A U:4x440 VAC snap on

Current: 10 A

## Image



- rail mountable
- with neutral

Vicarious picture

## Approvals



## Technical Data

|                         |   |
|-------------------------|---|
| Operating voltage       | max. 3 × 440 V AC   |
| Operating frequency     | 50...60 Hz  |
| Overload current        | 18 × IN t < 0.5 ms; 1.5 × IN t < 1 min. (1 × per hour)  |
| Consumption at 250 V AC | max. 3 mA   |
| Test voltage            | L - N: 2.7 kV DC, 2 s; L - L: 2.1 kV DC, 2 s  |
| Connection diameter     | 0.2...6 mm <sup>2</sup> single core (AWG 24...9); 0.2...4 mm <sup>2</sup> multiple core (AWG 24...11) |

## General data

|                      |                                    |
|----------------------|------------------------------------|
| Connection           | Screw connection, touch protected  |
| Climatic category    | 25/85/21 (EN 600068-1)             |
| Mounting method      | DIN-rail mountable TH35 (EN 60715) |
| Dimensions H × W × D | 107 x 65 x 39 mm                   |

## Description

The 3-phase and one-stage EMC filters MEF 3/1 are used in the range 0.1...30 MHz and dampen interferences found in cables from the mains, supply units and control systems. They are suitable for TN-S, TN-C-S, and TT networks. The best results are obtained with short connection cables (suggestion: earth connection < 10 cm) of the largest possible cross-section. The EMC filters are bi-directional. They reduce symmetrical and asymmetrical interferences that regularly appear with electronically controlled three phase units through mains influences.

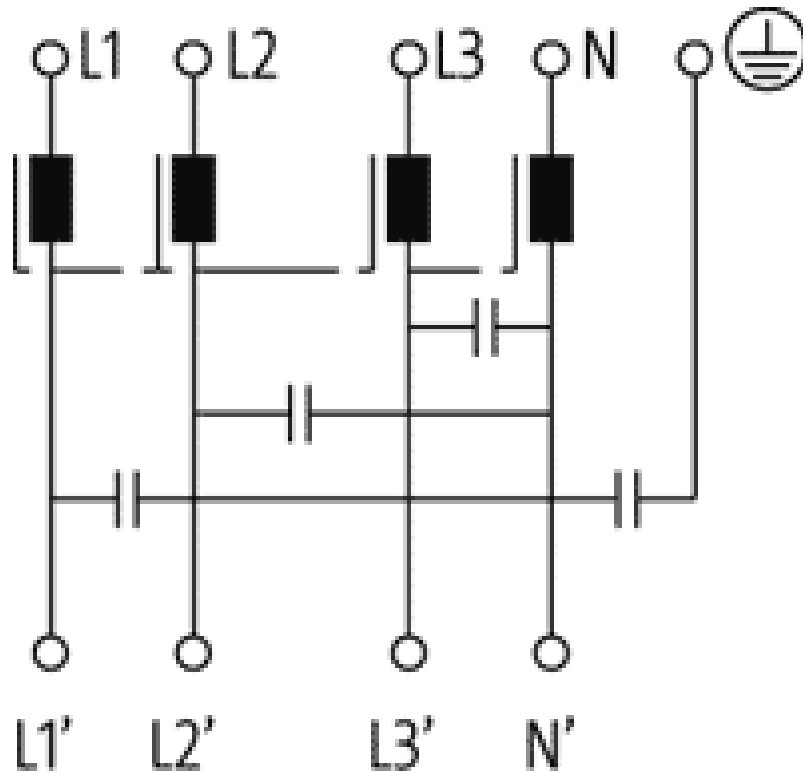
## Commercial data

|                       |          |
|-----------------------|----------|
| Net weight            | 450      |
| Net weight            | 450      |
| Weight unit           | gram     |
| Basic unit            | pc.      |
| Customs tariff number | 85363010 |
| Unit (piece)          | 1        |
| Limited value         | 1        |

## Comments

Attenuation curves on request.

## Circuit diagram



Representante oficial de:



[Argentina – Uruguay – Paraguay – Bolivia – Colombia – y Perú.]



Calle 49 N° 5764 - Villa Ballester (B1653AOX) - Prov. de Buenos Aires - ARGENTINA  
Tel: (+54 11) 4768-4242 / Fax: (+54 11) 4849-1212  
Mail: [ventas@nakase.com.ar](mailto:ventas@nakase.com.ar) / Web: [www.nakase.com.ar](http://www.nakase.com.ar)

