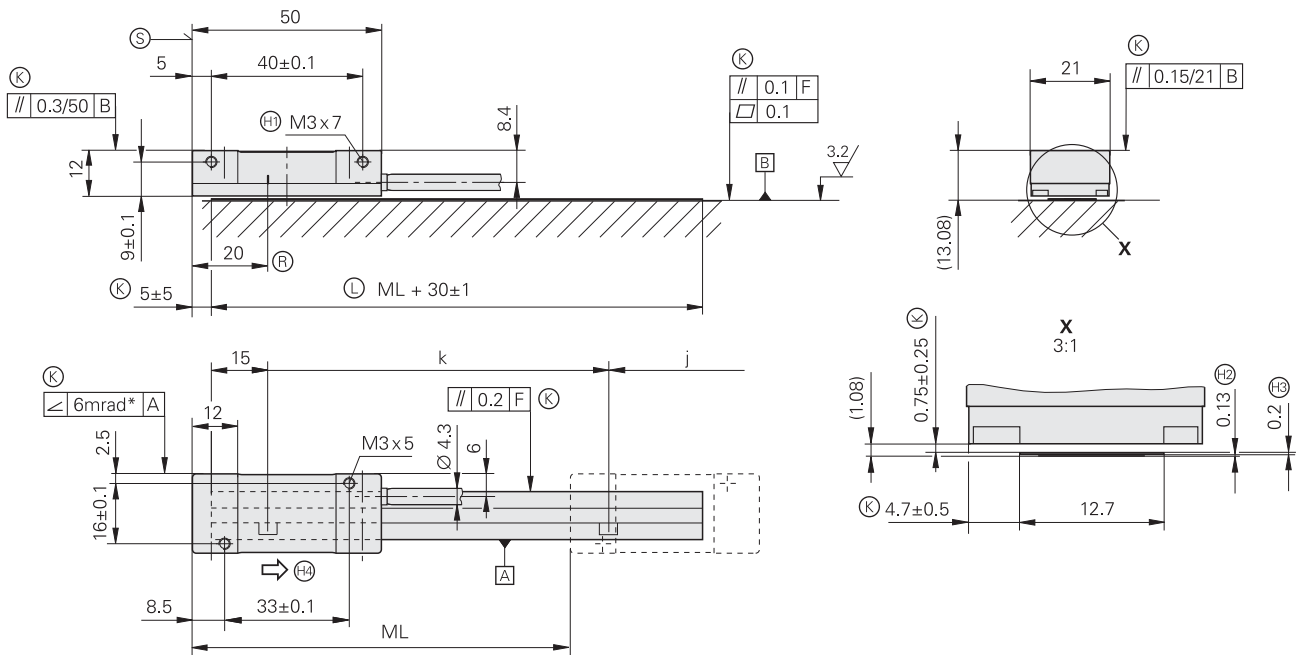


LIDA 279, LIDA 289

Incremental linear encoder with large mounting tolerance

- For measuring steps to 0.5 μm
- Scale tape cut from roll
- Steel scale tape cemented on mounting surface



mm



Tolerancing ISO 8015

ISO 2768 - m H

< 6 mm: ±0.2 mm

* = Max. change during operation

F = Machine guideway

Ⓚ = Required mating dimensions

Ⓜ = Reference mark

Ⓛ = Scale tape length

Ⓢ = Beginning of measuring length (ML)

Ⓧ = Thread at both ends

Ⓝ = Adhesive tape

Ⓞ = Steel scale tape

Ⓧ = Direction of scanning unit motion for output signals in accordance with interface description

Reference mark:

k = Position of 1st reference mark from the beginning of the measuring length, depending on the cut

j = Additional reference marks every 100 mm



Specifications	LIDA 289	LIDA 279		
Measuring standard Coefficient of linear expansion	Steel scale tape $\alpha_{\text{therm}} \approx 10 \cdot 10^{-6} \text{ K}^{-1}$			
Accuracy grade	$\pm 30 \mu\text{m}$			
Scale tape cut from roll*	3 m, 5 m, 10 m			
Reference marks	Selectable every 100 mm			
Incremental signals	$\sim 1 \text{ V}_{\text{pp}}$	□ TTL		
Grating period	200 μm			
Integrated interpolation* Signal period	– 200 μm	10-fold 20 μm	50-fold 4 μm	100-fold 2 μm
Cutoff frequency	$\geq 50 \text{ kHz}$	–	–	–
Scanning frequency	–	$\leq 50 \text{ kHz}$	$\leq 25 \text{ kHz}$	$\leq 12.5 \text{ kHz}$
Edge separation a	–	$\geq 0.465 \mu\text{s}$	$\geq 0.175 \mu\text{s}$	$\geq 0.175 \mu\text{s}$
Traversing speed	$\leq 600 \text{ m/min}$		$\leq 300 \text{ m/min}$	$\leq 150 \text{ m/min}$
Power supply Current consumption	DC 5 V $\pm 5\%$ < 110 mA	DC 5 V $\pm 5\%$ < 140 mA (without load)		
Electrical connection* Cable length	Cable 1 m or 3 m with D-sub connector (15-pin) $\leq 30 \text{ m}$ (with HEIDENHAIN cable)			
Vibration 55 to 2000 Hz Shock 11 ms	$\leq 200 \text{ m/s}^2$ (EN 60068-2-6) $\leq 500 \text{ m/s}^2$ (EN 60068-2-27)			
Operating temperature	0 °C to 50 °C			
Weight	Scanning head Scale tape Connecting cable Connector	20 g (without connecting cable) 20 g/m 30 g/m 32 g		

* Please select when ordering

Representante oficial de:



HEIDENHAIN

[Argentina – Bolivia – Chile – Colombia - Costa Rica – Ecuador - El Salvador –
Guatemala – Honduras – Nicaragua – Panamá – Paraguay – Perú -
República Dominicana – Uruguay – Venezuela.]



Calle 49 N° 5764 - Villa Ballester (B1653AOX) - Prov. de Buenos Aires - ARGENTINA
Tel: (+54 11) 4768-4242 / Fax: (+54 11) 4849-1212
Mail: ventas@nakase.com.ar / Web: www.nakase.com.ar

