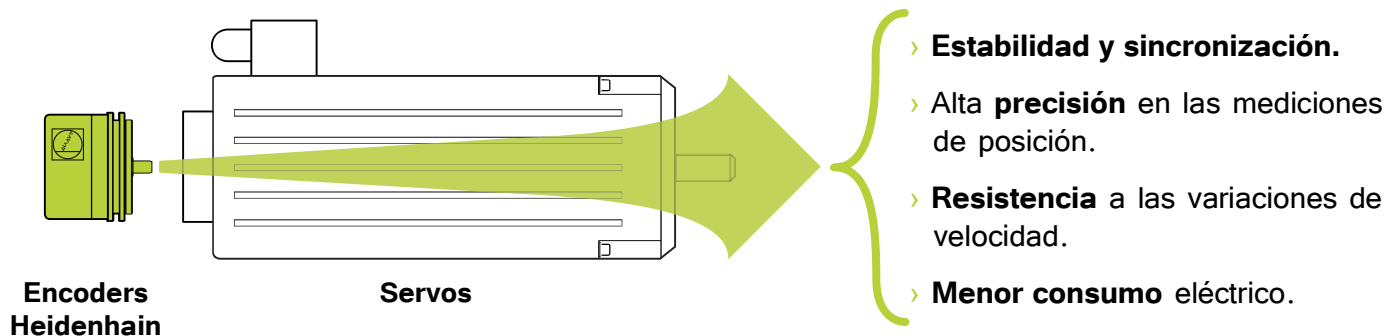


# ENCODERS PARA SERVOS HEIDENHAIN



## » RENDIMIENTO Y PRECISIÓN PARA SUS MOTORES



## › MODELOS: ECN/EQN 1300, ERN 1300, ERO 1200 / 1400.

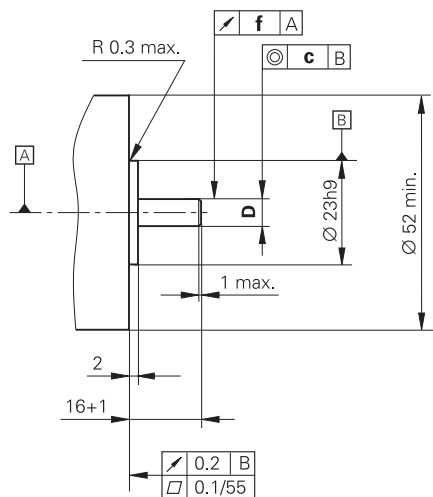
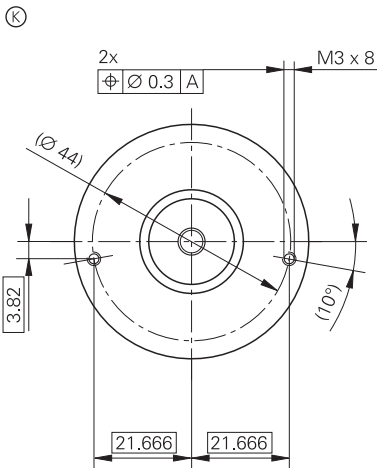
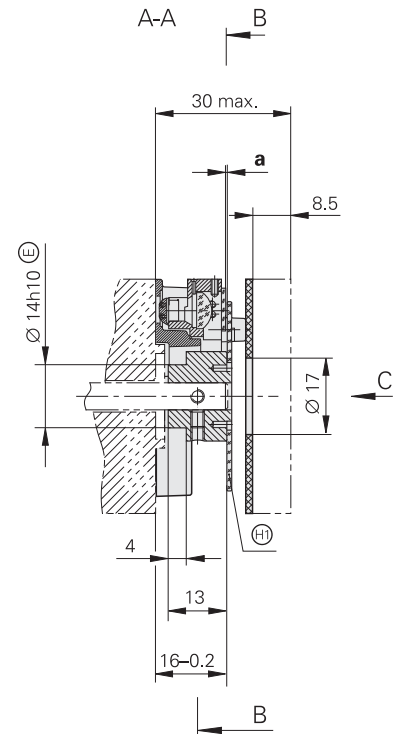
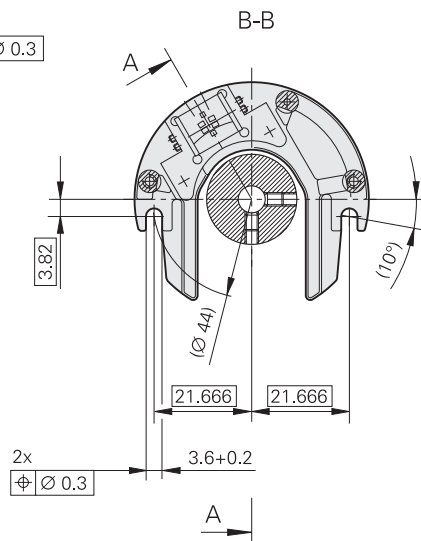
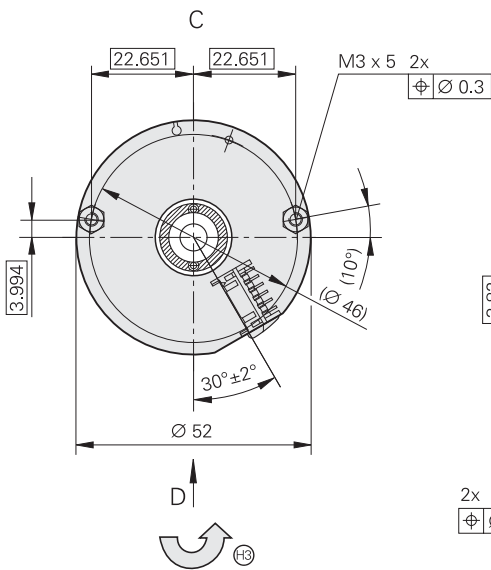
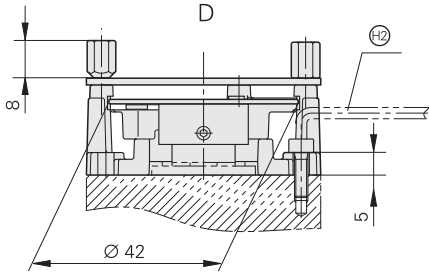
- › **Resistentes** a altos grados de temperatura (+100°C).
- › Amplio rango de **protección** (Ej. IP64).
- › **Montaje sencillo.**
- › **Alto grado de precisión** en la generación de impulsos por vuelta.
- › Aptos para **motores trifásicos (AC/DC).**
- › Señales **incrementales y absolutas.**
- › 1 año de **garantía.**



# ERO 1200 Series

Rotary encoders without integral bearing for integration in motors

- Installation diameter 52 mm
- Hollow through shaft





mm  
 Tolerancing ISO 8015  
 ISO 2768 - m H  
 < 6 mm: ±0.2 mm

<b>D</b>
Ø 10h6 ©
Ø 12h6 ©

- ▣ = Bearing
- © = Required mating dimensions
- ⊕ = Disk/hub assembly
- ⊕ = Offset screwdriver ISO 2936 - 2.5 (I<sub>2</sub> shortened)
- ⊕ = Direction of shaft rotation for output signals as per the interface description

	Z	a	f	c
<b>ERO 1225</b>	1024	0.6 ± 0.2	Ø 0.05	Ø 0.02
	2048	0.2 ± 0.05		
<b>ERO 1285</b>	1024	0.2 ± 0.03	Ø 0.03	Ø 0.02
	2048			

	Incremental	
	ERO 1225	ERO 1285
<b>Incremental signals</b>		 1 V <sub>PP</sub>
Line count *	1024 2048	
Accuracy of the graduation <sup>2)</sup>	± 6"	
Reference mark	One	
Scanning frequency Edge separation a Cutoff frequency -3 dB	≤ 300 kHz ≥ 0.39 μs -	- - Typically ≥ 180 kHz
<b>System accuracy<sup>1)</sup></b>	1024 lines: ± 92" 2048 lines: ± 73"	1024 lines: ± 67" 2048 lines: ± 60"
<b>Power supply</b>	5 V DC ± 10%	
Current consumption (w/o load)	≤ 150 mA	
<b>Electrical connection</b>	Via 12-pin PCB connector	
<b>Shaft*</b>	Hollow through shaft Ø 10 mm or Ø 12 mm	
<b>Moment of inertia</b> of rotor	Shaft Ø 10 mm: $2.2 \cdot 10^{-6} \text{ kgm}^2$ Shaft Ø 12 mm: $2.15 \cdot 10^{-6} \text{ kgm}^2$	
<b>Mech. permitt. speed n</b>	≤ 25000 min <sup>-1</sup>	
<b>Permissible axial motion of measured shaft</b>	1024 lines: ± 0.2 mm 2048 lines: ± 0.05 mm	± 0.03 mm
<b>Vibration</b> 55 Hz to 2000 Hz <b>Shock</b> 6 ms	≤ 100 m/s <sup>2</sup> (EN 60068-2-6) ≤ 1000 m/s <sup>2</sup> (EN 60068-2-27)	
<b>Max. operating temp.</b>	100 °C	
<b>Min. operating temp.</b>	-40 °C	
<b>Protection</b> EN 60529	IP 00 <sup>3)</sup>	
<b>Weight</b>	Approx. 0.07 kg	

\* Please select when ordering

<sup>1)</sup> Before installation. Additional error caused by mounting inaccuracy and inaccuracy from the bearing of the measured shaft is not included.

<sup>2)</sup> For other errors, see *Measuring Accuracy*

<sup>3)</sup> CE compliance of the complete system must be ensured by taking the correct measures during installation.

Representante oficial de:



**HEIDENHAIN**

[Argentina – Bolivia – Chile – Colombia - Costa Rica – Ecuador - El Salvador –  
Guatemala – Honduras – Nicaragua – Panamá – Paraguay – Perú -  
República Dominicana – Uruguay – Venezuela.]



Calle 49 N° 5764 - Villa Ballester (B1653AOX) - Prov. de Buenos Aires - ARGENTINA  
Tel: (+54 11) 4768-4242 / Fax: (+54 11) 4849-1212  
Mail: [ventas@nakase.com.ar](mailto:ventas@nakase.com.ar) / Web: [www.nakase.com.ar](http://www.nakase.com.ar)

