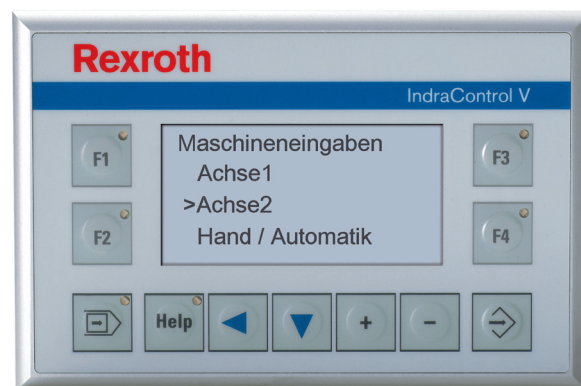


compact operator terminals

# 3" FSTN-Display IndraControl VCP 02



compact operator terminals

**3" FSTN-Display ■ IndraControl VCP 02****Documentation**

These controller-based compact operator terminals allow you to edit your production data simply by pressing a key or touching the screen. The system versions cover a range from simple small graphics displays to touchscreens with full graphics capabilities – with the number of function keys depending on the system design. The comprehensive interface range fulfills almost all of your communication wishes, whether Ethernet TCP/IP, field-bus or serial.

**Technical data**

VCP 02.2	
<b>Processor</b>	
<b>CPU</b>	RISC ARM9 200MHz (Standard)
<b>Memory</b>	
<b>Application</b>	3 MB
<b>Flash size</b>	16 MB
<b>Slot</b>	1
<b>Display</b>	
<b>Type</b>	FSTN
	text orientated
<b>Size</b>	3 "
<b>Colours / Greyscales</b>	grey tones
<b>Resolution</b>	160 x 80
<b>Handling</b>	
<b>Type</b>	keyboard operation
<b>Handling</b>	Function keys
<b>Funktion Keys</b>	4
<b>... with LED</b>	4
<b>System Keys</b>	7
<b>... with LED</b>	2
<b>Handling</b>	
<b>Keyboard</b>	Function keys
<b>Interfaces</b>	
<b>Ethernet</b>	1 x Ethernet TCP/IP (Standard)
<b>USB</b>	2 x USB-Host (Standard)
<b>Others</b>	RS232/RS485 (Option)

compact operator terminals

**3" FSTN-Display ■ IndraControl VCP 02**

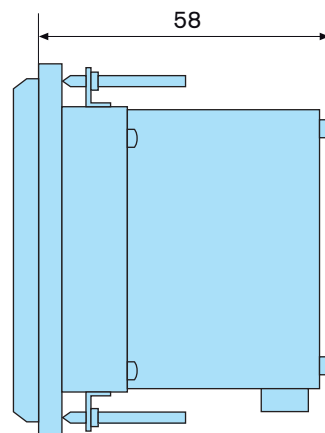
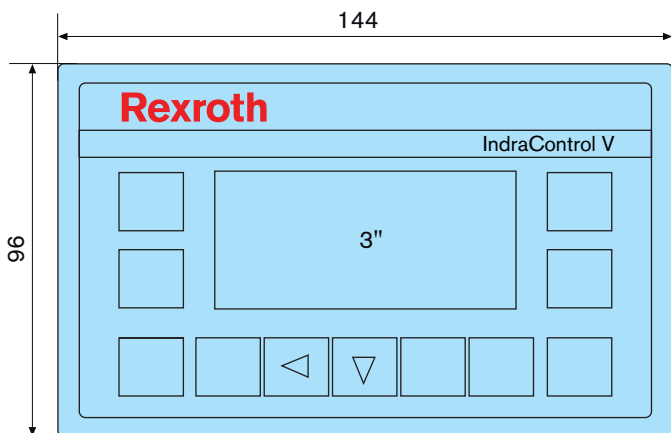
Fieldbus		
<b>PROFIBUS DP</b>		1 x PROFIBUS DP-Slave (Option)
Electric data		
<b>Voltage supply</b>	<b>U</b>	24 V DC
<b>Min.</b>	<b>U<sub>min</sub></b>	19 V DC
<b>Max.</b>	<b>U<sub>max</sub></b>	30 V DC
<b>Input Power</b>	<b>[W]</b>	6
Protection		
<b>Category Front</b>		IP65
<b>Category Rear</b>		IP20
Weight		
<b>Weight</b>		0,5 kg
Ambient conditions		
<b>Ambient temp. operation</b>	<b>Min. [°C]</b>	5
	<b>Max. [°C]</b>	45
<b>Ambient temp. storage</b>	<b>Min. [°C]</b>	-20
	<b>Max. [°C]</b>	60
<b>Relative humidity operation</b>	<b>Min. [%]</b>	5
	<b>Max. [%]</b>	85
<b>Relative humidity storage</b>	<b>Min. [%]</b>	5
	<b>Max. [%]</b>	75
<b>Atmospheric pressure (operation)</b>	<b>Min. [kPa]</b>	80
	<b>Max. [kPa]</b>	106
	<b>EN 60034-1</b>	(up to 2,000 above MSL)
<b>Atmospheric pressure (transport/storage)</b>	<b>Min. [kPa]</b>	70
	<b>Max. [kPa]</b>	106
	<b>EN 60034-1</b>	(up to 2,000 above MSL)

**Dimensions**

		VCP 02.2
Dimensions		
<b>Height H</b>	<b>[mm]</b>	96
<b>Width W</b>	<b>[mm]</b>	144
<b>Depth D</b>	<b>[mm]</b>	58

compact operator terminals

**3" FSTN-Display ■ IndraControl VCP 02**



**Type Code**

Type Code	Description	Part No.:
VCP02.2DRN-003-NN-NN-PW	IndraControl VCP 02	R911311488
VCP02.2DRN-003-SR-NN-PW	IndraControl VCP 02 with serial interfaces	R911311490
VCP02.2DRN-003-PB-NN-PW	IndraControl VCP 02 with PROFIBUS DP-Slave	R911311491

**Accessories**

Type Code	Description	Part No.:
VAS04.1-001-002-NN	Battery-Kit	R911316662

**Documentation**

Type Code	Description	Part No.:
DOK-SUPPL*-VCP*02.2***-PR02-DE-P	IndraControl VCP 02	R911310374
DOK-SUPPL*-VCP*02.2***-PR02-EN-P	IndraControl VCP 02	R911310375

Representante oficial de:

**Rexroth**  
Bosch Group

[Argentina]



Calle 49 N° 5764 - Villa Ballester (B1653AOX) - Prov. de Buenos Aires - ARGENTINA  
Tel: (+54 11) 4768-4242 / Fax: (+54 11) 4849-1212  
Mail: [ventas@nakase.com.ar](mailto:ventas@nakase.com.ar) / Web: [www.nakase.com.ar](http://www.nakase.com.ar)

---

